



... the level & gas people

ISO-9001 : 2008 CERTIFIED COMPANY

INTRODUCTION

It is an accurate, reliable & trouble free float operated technique used in large non- pressurized storage tanks

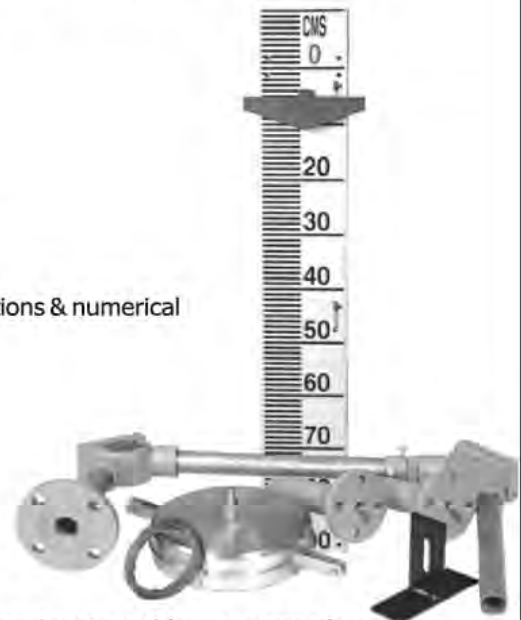
CONSTRUCTION & OPERATION

Guided Direct Indication : It consists of a float connected to a pointer through a rope via a set of pulleys. The pointer glides over a calibrated gauge board, positioned parallel to the tank. The float accurately follows liquid level variations in vertical direction. The horizontal float movement is restricted by two guide wires firmly anchored to tank bottom. As such, the pointer is in 'TOP POSITION' when tank is 'EMPTY' and in 'BOTTOM POSITION ' when 'FULL'.

Applications: Liquid storage tanks having moderate turbulence and variable tank heights.

SPECIFICATIONS:

Measuring Range	: 7.5 mtrs with Ø 200mm float 15mtrs with Ø 350mm float (For above 15 mtrs contact factory)
Float	: SS304 x Ø200mm & Ø300mm : SS316 x Ø200mm & Ø300mm
Calibrated Gauge Board	: 65mm wide acrylic sheet with graduations & numerical
Least Count	: 5mm
Max Temperature	: 150°C
Max Pressure	: ATM
Float Wire Rope	: SS316 / SS304
Guide Wire Rope	: SS316 / SS304
Installation	: Ground level tank /overhead tank
Local Indication	
Pointer	: Powder coated Red MS pointer with Bearing to provide super smooth movement along gauge board, Pointer Tip indicates 'Level'
Pulley Assemblies (2 Nos)	: SS304 pulley with PTFE bush & SS shaft housed in Aluminum enclosure
Protection Conduit	
Horizontal Limb	: GI pipe 25NB x 1000mm (adjustable)
Vertical Limb	: GI pipe 25NB x 500mm
Spring Tensioner Assy's	: Cadmium Plated Steel Spring housed in CI enclosure
Process Connections	: 1" x 150 # RF Flange, others optional
Anchor Plate	: SS304/SS316 plate
Gauge Board Brackets	: Powder coated MS
Wire Fasteners	: SS304 / SS316



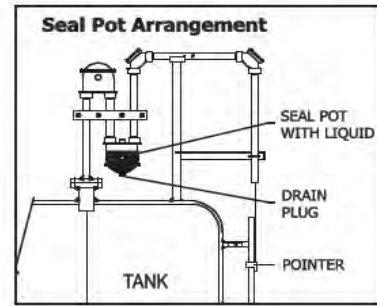
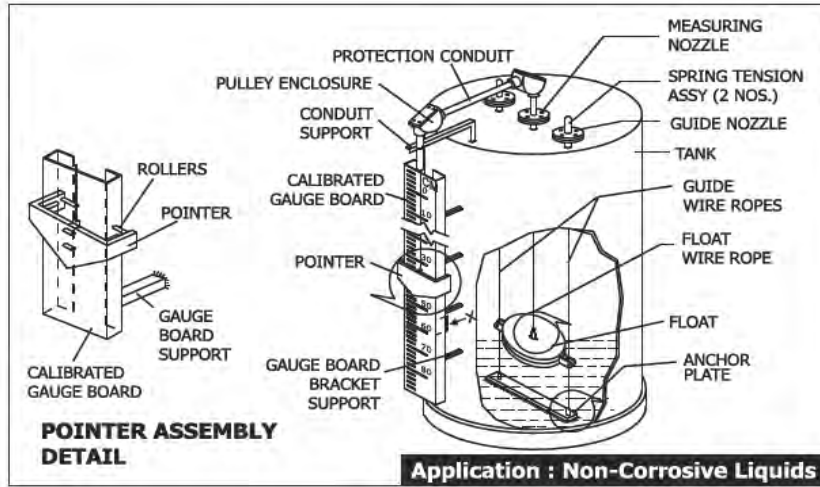
Special Features

Seal Pot

: For Tanks with vapor pressure upto 600mm WC or corrosive fumes

INSTALLATION

Ensure that float is kept away from liquid feed pipe as well as heavy suction to protect float from damage and turbulence resulting in faulty indication.



40 C -	I	II	III	IV	V	VI
Measuring Range.....	Please Specify	Please Specify	Please Specify	Please Specify	Please Specify	Please Specify
Process Connection.....	Please Specify	Please Specify	Please Specify	Please Specify	Please Specify	Please Specify
Service.....	Please Specify	Please Specify	Please Specify	Please Specify	Please Specify	Please Specify
Pressure (kg/cm ²).....	Please Specify	Please Specify	Please Specify	Please Specify	Please Specify	Please Specify
Temperature(°C).....	Please Specify	Please Specify	Please Specify	Please Specify	Please Specify	Please Specify
Seal Pot Arrangement.....	Please Specify	Please Specify	Please Specify	Please Specify	Please Specify	Please Specify

V. AUTOMAT & INSTRUMENTS (P) LTD.

AUTOMAT HOUSE, F-61, Okhla Industrial Area, Phase-I, New Delhi - 110 020, INDIA

Phone : 47627200 (40 Lines) Fax : +91-11-26819440

E-mail : vautomat@airtelmail.in ; vautomat@vsnl.com

Website : www.vautomat.com

BRANCHES IN BARODA, MUMBAI, KOLKATA, JAMSHEDPUR, SECUNDERABAD & CHENNAI

See Website for address (Specifications Subject to change without prior notice)