

### PRESSURE INDICATING CONTROLLER MODEL - 200-1P

#### APPLICATION

Automat Pressure Indicating Controller is very versatile, reliable and accurate pressure instrument to satisfy modern process control requirements. The indicating controller is used for control of liquid, gaseous or vaporous media. The instrument senses the pressure of the measured medium directly & display the operating value, compares the measured variable with the set point and gives pneumatic signal in the standard range 0.2 to 1 kg/cm<sup>2</sup>. This output pressure actuates the final control element. Automat Pressure Indicating Controller may include ON-OFF, Proportional Only, Proportional with Automatic Reset (Integral), Proportional with Auto Reset and PRE-ACT control responses.



#### TECHNICAL DATA

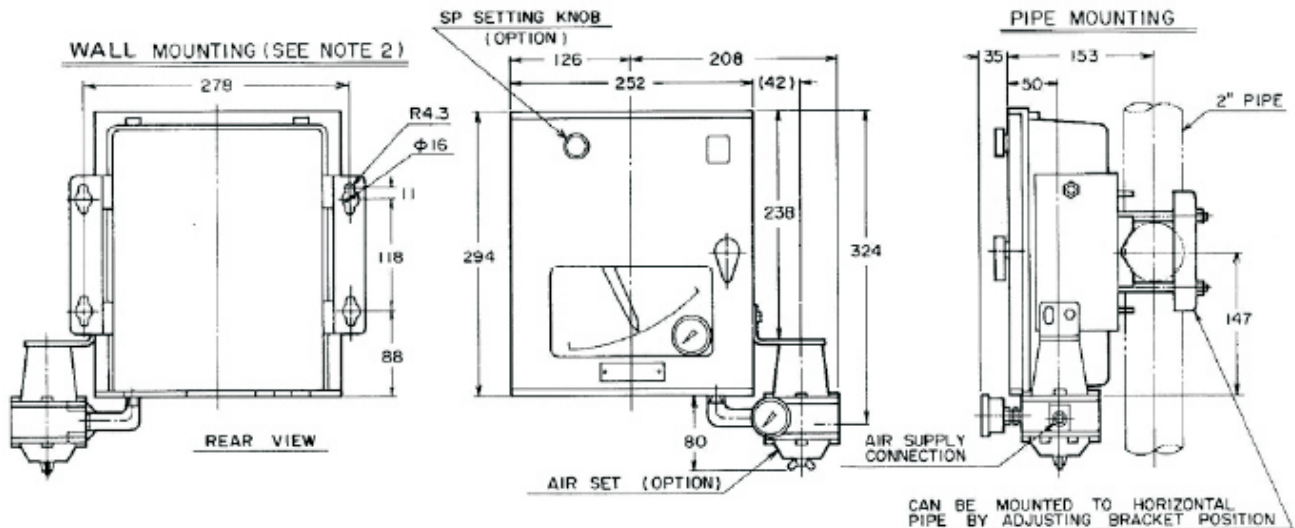
Body	Die cast aluminium with anti corrosive paint	
Cover	ABS	
Degree of protection	IP 65	
Mounting	Wall or panel	
Pneumatic connections	1/4" NPT	
Supply air pressure	20±1.5 psi / 1.4 ± 0.1 kg/cm <sup>2</sup>	35 ± 1.5 psi / 2.4 ± 0.1 kg/cm <sup>2</sup>
Output	3 - 15 psi / 0.2 - 1kg/cm <sup>2</sup>	6 - 30 psi / 0.4 - 2 kg/cm <sup>2</sup>
Proportional Action	Proportional Band 5...500%	
Integral Action	0.05...30 rep./min.	
Derivativ Action	0.05...30 rep./min.	
Dead Band	0.2% of FS	0.3% of FS for 0-150kgf/cm <sup>2</sup>
Scale Length	150mm	
Accuracy	1.0% of FS	1.5% of FS for 0-150kgf/cm <sup>2</sup>
Setting Range	0 to 100% of FS	
Angle	44°	
Repeatability	0.3% of FS	0.45% of FS for 0-150kgf/cm <sup>2</sup>
Ambient temperature	-30 to + 80 °C	
Measuring Element	Bellows/Spiral	
Relative Humidity	10% to 90% RH	
Pointer (Process variable)	Red	
Pointer (Set Point Value)	Green	

### Standard Specifications

Item	Specifications
Detector section	Measuring range SUS316 bellows, 0~0.5, 0~1, 0~1.5, 0~2 (kgf/cm <sup>2</sup> gauge pressure) SUS316 spiral, 0~3, 0~4, 0~5, 0~6, 0~10, 0~15, 0~20, 0~25, 0~35, 0~50, 0~70, 0~100, 0~150, 0~250, 0~350 (kgf/cm <sup>2</sup> gauge pressure) Phosphor bronze bellows, 0.2~1.0 (kgf/cm <sup>2</sup> pneumatic pressure signal) SUS316 bellows, -760~0 (mmHg negative pressure)
	Allowable over range Without recalibration Span of 70kgf/cm <sup>2</sup> or less, Maximum pressure plus 50% of span Span of 100kgf/cm <sup>2</sup> or more, Maximum pressure plus 20% of span

### Overall Dimensions

(Unit: mm)



## V. AUTOMAT & INSTRUMENTS (P) LTD.

AUTOMAT HOUSE, F-61, Okhla Industrial Area, Phase-I, New Delhi - 110 020, INDIA

Phone : 47627200 (40 Lines) Fax : 091-11-26819440

E-mail: [vautomat@airtelmail.in](mailto:vautomat@airtelmail.in); [vautomat@vsnl.com](mailto:vautomat@vsnl.com)

Website : [www.vautomat.com](http://www.vautomat.com)

BRANCHES IN BARODA, MUMBAI, KOLKATA, JAMSHEDPUR, SECUNDERABAD & CHENNAI

See Website for address (Specifications can change without prior notice)